
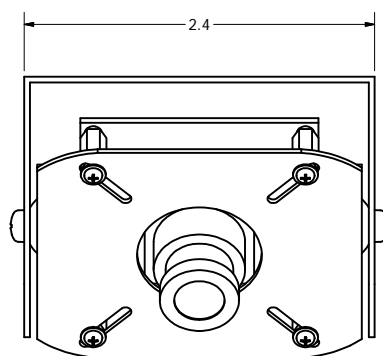
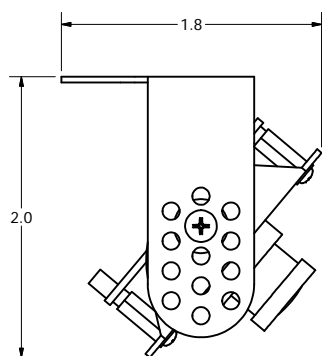
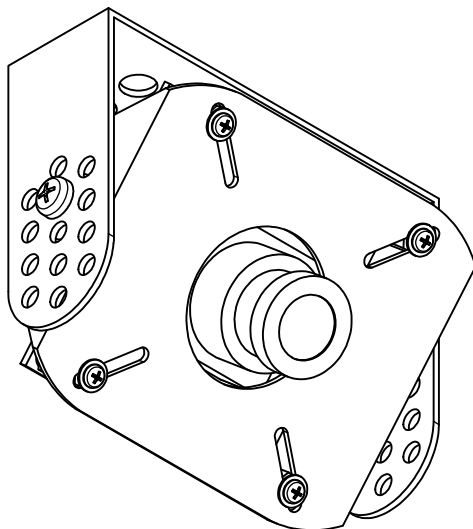



| | | |
|--|---------------------------|---|
| Part Number LV103-0028A | Weight 1.8 lbs (820 g) |  |
| Description LV103 Encl w/540TVL Camera (12v DC) | | http://www.dsmlc.com © 2009 Digital Site Management, L.L.C. |



Camera Specifications

| | | |
|------------------------------|---|---|
| Sensor Chip | 1/3" SONY HAD High Res. CCD + SONY HQ1 DSP | |
| Picture Element | NTSC: 768 (H) x 494 (V) | PAL: 752 (H) x 582 (V) |
| Scanning Frequency | NTSC: 15734 Hz (H) 60 Hz (V) | PAL: 15625 Hz (H) 50 Hz (V) |
| Resolution | 540 TV Lines (580 TVL, F1.0) | |
| Sensitivity | 0.05 Lux (F1.2) | |
| Synchronizing System | Internal Sync., 2.1 Interlace | |
| White Balance | Auto | |
| Gain Control | Yes | |
| S/N Ratio | 52dB | |
| Gamma | 0.45 | |
| Electronic Shutter | Auto [1/60(50)~1/100,000] | |
| Video Output | 1.0Vp-p75Ω | |
| Lens | 2.8mm Fixed Iris Lens | |
| Backlight Compensation | Auto | |
| Power Requirement | 12 VDC / 125 mA or 24 VAC | |
| Dimensions | 66 (Ø) mm x 50 (H) mm | |
| Operating Temperature | -10°C to +45°C | |
| Country of Origin | Taiwan | |
| Part Number | Weight |  |
| LVC-0028A | 0.2 lbs (90 g) | |
| Description | http://www.dsmlc.com © 2009 Digital Site Management, L.L.C. | |
| 540 TVL, 1/3 CCD, 2.8mm Lens | | |