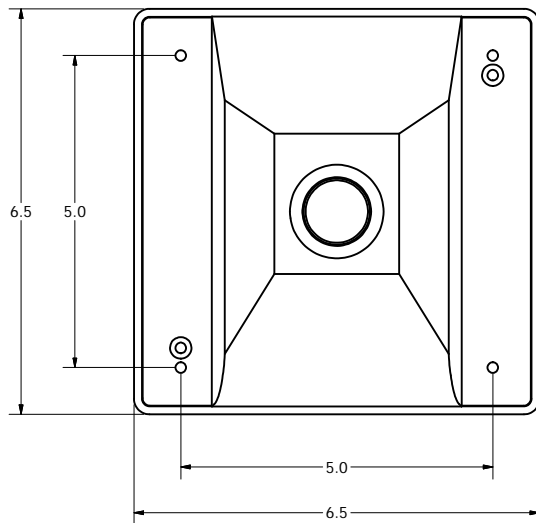
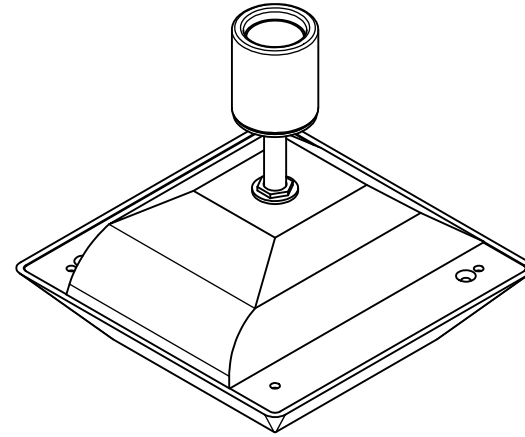
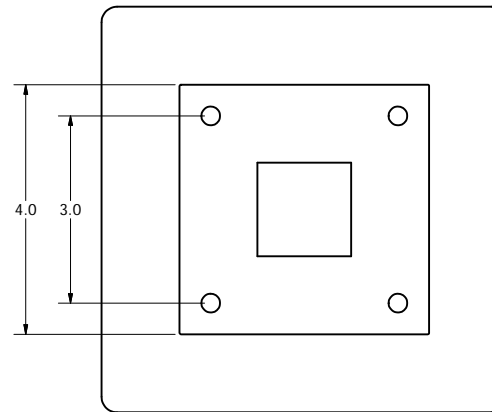



Front View

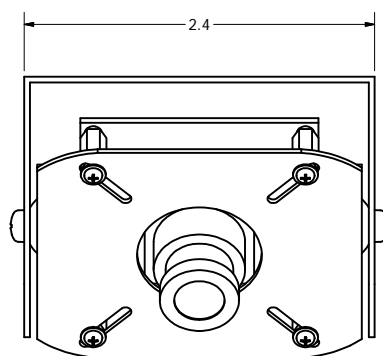
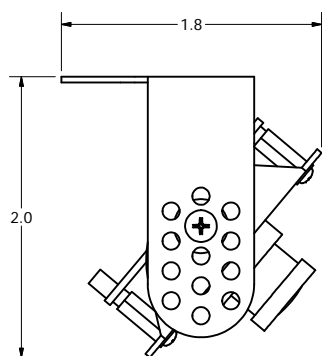
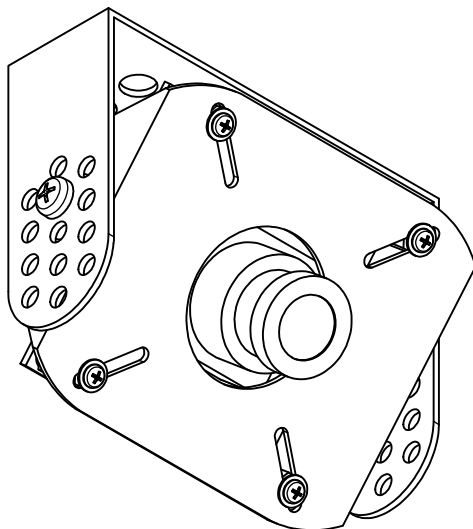


Top View




Bottom View

<p>Part Number <b>LV103-0028B</b></p>	<p>Weight 1.9 lbs (863 g)</p>	 <p><a href="http://www.dsmlc.com">http://www.dsmlc.com</a> © 2009 Digital Site Management, L.L.C.</p>
<p>Description LV103 Encl w/540TVL Camera (12v DC/24v AC)</p>		



### Camera Specifications

Sensor Chip	1/3" SONY HAD High Res. CCD + SONY HQ1 DSP	
Picture Element	NTSC: 768 (H) x 494 (V)	PAL: 752 (H) x 582 (V)
Scanning Frequency	NTSC: 15734 Hz (H) 60 Hz (V)	PAL: 15625 Hz (H) 50 Hz (V)
Resolution	540 TV Lines (580 TVL, F1.0)	
Sensitivity	0.05 Lux (F1.2)	
Synchronizing System	Internal Sync., 2.1 Interlace	
White Balance	Auto	
Gain Control	Yes	
S/N Ratio	52dB	
Gamma	0.45	
Electronic Shutter	Auto [1/60(50)~1/100,000]	
Video Output	1.0Vp-p75Ω	
Lens	2.8mm Fixed Iris Lens	
Backlight Compensation	Auto	
Power Requirement	12 VDC / 125 mA or 24 VAC	
Dimensions	66 (Ø) mm x 50 (H) mm	
Operating Temperature	-10°C to +45°C	
Country of Origin	Taiwan	
Part Number	Weight	
LVC-0028A	0.2 lbs (90 g)	
Description	<a href="http://www.dsmlc.com">http://www.dsmlc.com</a> © 2009 Digital Site Management, L.L.C.	
540 TVL, 1/3 CCD, 2.8mm Lens		